

# MCCS-MINI

by JRI Industries

## a NEW WAVE IN CLEANING

### BRINGING PORTABILITY TO CELLULAR MANUFACTURING LINES!

### Flexible Design Custom To Your Application!

Lift Up Top  
Covers for Easy  
Access To  
Manifolds



Industrial Control  
Panel with Disconnect  
Options

Available in Wash, Blow-Off  
and Wash, Rinse, Blow-Off  
Configurations

Adjustable  
Conveyor Take-Ups

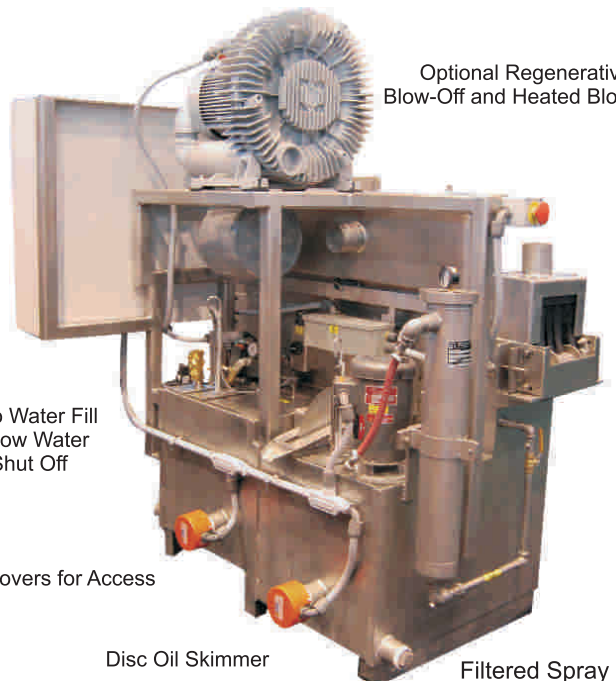
Belt Widths Available  
Up to 10"

**MCCS-3000 MINI**  
Wash, Rinse or RP, Blow-Off  
System Pictured

Ideal for the following applications:

- Die Cast
- Stampings
- Castings
- Cold Heading
- Screw Machine
- Fine Blanking
- Gears

Optional Regenerative  
Blow-Off and Heated Blow-Off



Auto Water Fill  
& Low Water  
Shut Off

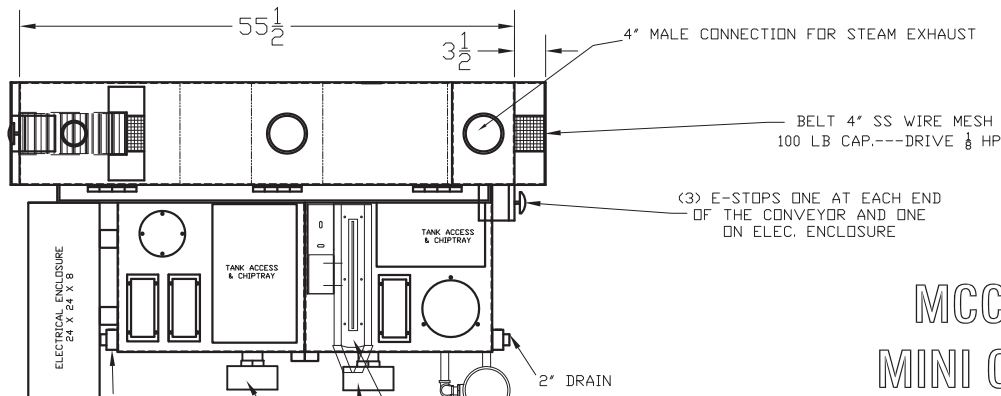
Large Covers for Access

Disc Oil Skimmer

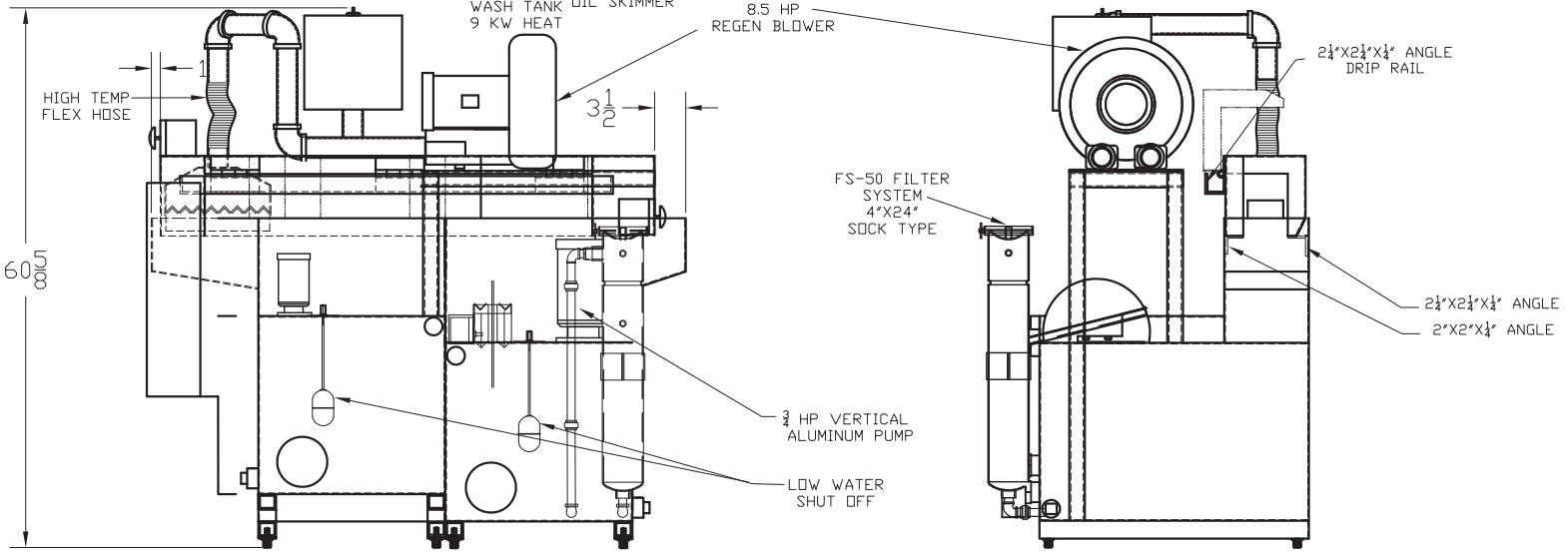
Filtered Spray



BY: **JRI INDUSTRIES**  
[WWW.JRIINDUSTRIES.COM](http://WWW.JRIINDUSTRIES.COM)



# MCCS-3000F MINI CONVEYOR

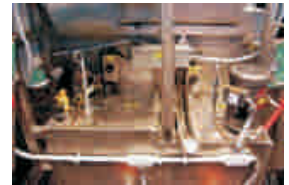


## SPECIFICATIONS:

- Belt Width: Available from 4"-10"
- Tank Material: Mild Steel or Stainless Steel Construction
- Wash Pump: 20 - 60 GPM ~ 5 to 40 PSIG
- Optional Rinse Pump: 15-40 GPM ~ 5-to 40 PSIG
- Solution Heat Capability: 140 degrees F
- Compressed Air Blow-off
- Optional Regenerative Blow-Off: 8.5 HP



EASILY ACCESSIBLE  
TUNNEL HOUSING



SERVICE FRIENDLY  
ACCESS TANKS

## SOME AVAILABLE OPTIONS:

- Tank Insulation
- Chip Basket and Tray
- Additional Cleaning Tanks
- Oil Skimmer or Coalescing Tank
- PLC Control
- Stainless Construction and Plumbing
- Heated Blow-Off
- Extended Belt Widths
- Optional Regenerative Blow-Off: 8.5 HP

The MCCS-MINI line of washers are available in a number of configurations. Due to the compact nature of this machine, we have found it best to build the machine around your process, as opposed to expecting your process to fit our machine.

CALL YOUR JRI REPRESENTATIVE FOR A FREE EVALUATION!



## CONTACT YOUR LOCAL DISTRIBUTOR TODAY:



BY: JRI INDUSTRIES  
1339 N CEDARBROOK  
SPRINGFIELD, MO 65802  
WWW.JRIINDUSTRIES.COM  
417-866-8855